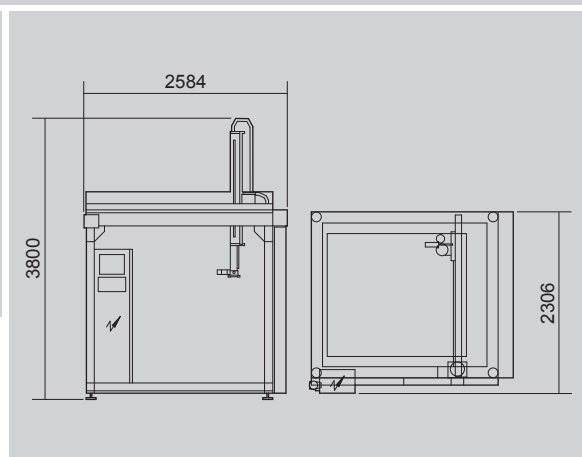
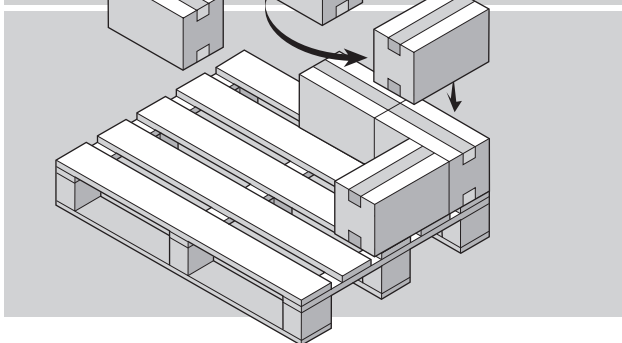
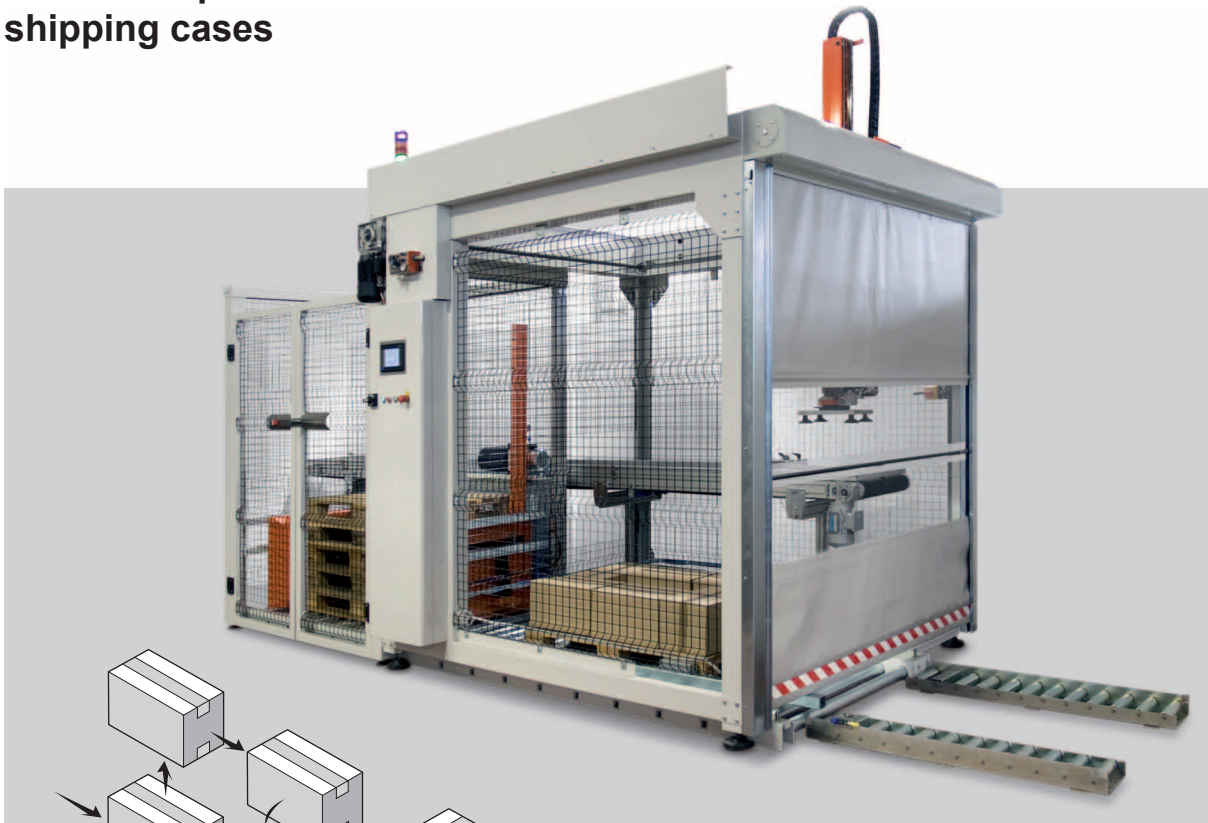


# ZP EASY

## Automatic palletizer for shipping cases



### TECHNICAL DATA

Mechanical speed	<b>STROKES/1'</b>	max. 12
Power absorption (max.)	<b>KW</b>	2
Air consumption	<b>NI/Cycle</b>	5
Air pressure	<b>bar</b>	6
Gross weight	<b>kg</b>	~1250
Net weight	<b>kg</b>	~750
<hr/>		
Size range	<b>min.</b>	<b>max.</b>
<b>A</b>	120	600
<b>B</b>	12	500
<b>C</b>	120	600
<b>E</b>	-	1219
<b>F</b>	-	1219

