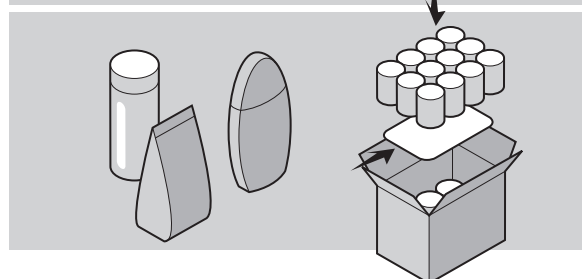
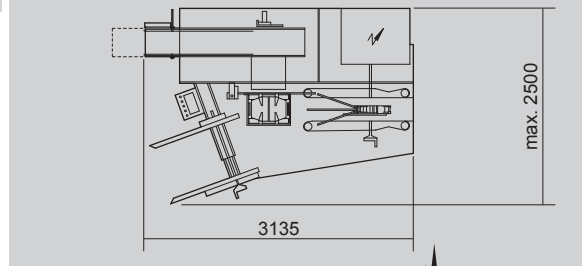
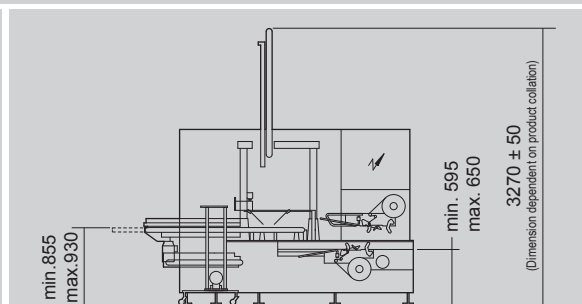
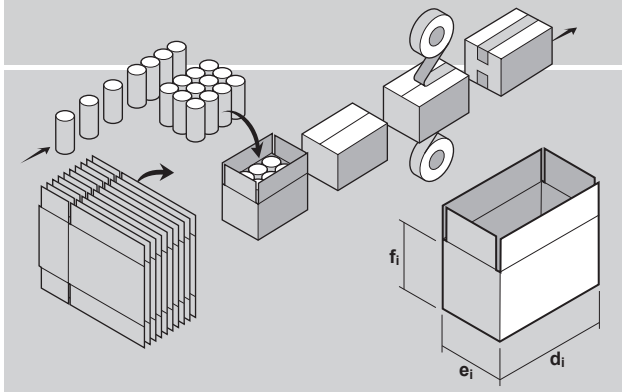


SMV

Vertical case-packer for shipping cases with top loading



TECHNICAL DATA		SMV 1	SMV 2
Pick-&-place speed (max.)	STROKES/1'	20	40
Production up to	CASES/1'	12	15
Power absorption	KW	8 (Hot-melt + 3,2)	8 (Hot-melt + 3,2)
Air consumption	NI/1'	500	500
Air pressure	bar	6	6
Gross weight	kg	~2300	~2600
Net weight	kg	~1850	~2000
<hr/>			
Size range	SMV 1 min. max.	SMV 2 min. max.	
d_i	200 595	200	595
e_i	120 395	120	395
f_i	105 395	105	395