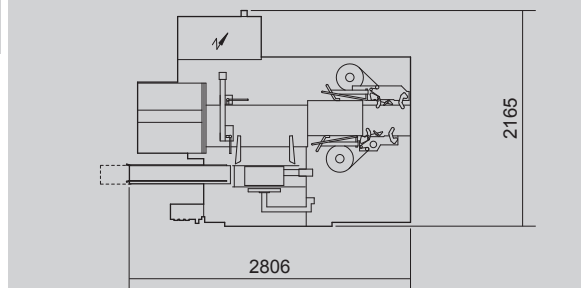
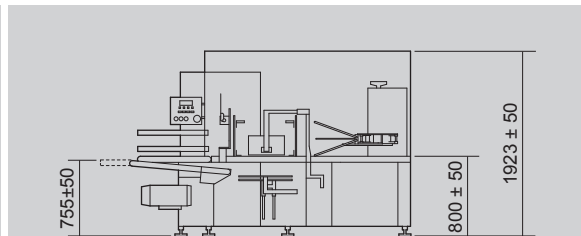
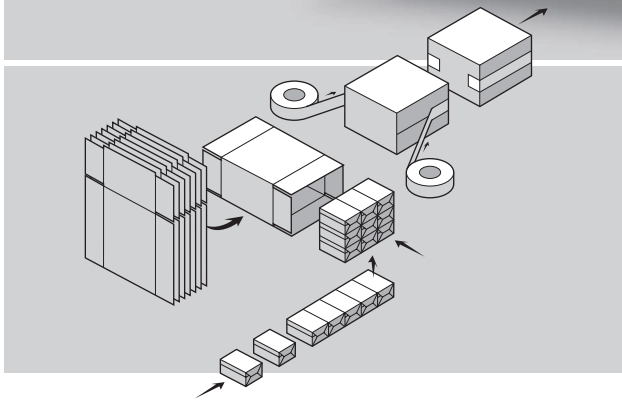
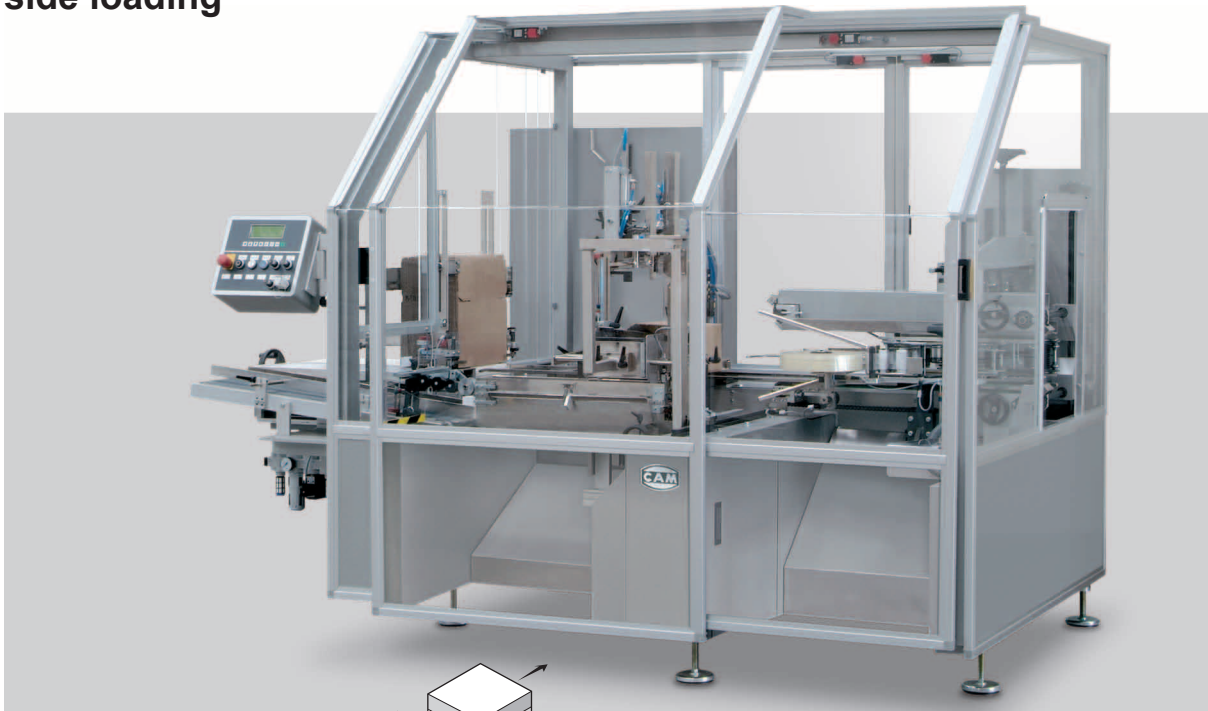


# SMP

## Horizontal case-packer for shipping cases with side loading



### TECHNICAL DATA

Mechanical speed	<b>STROKES/1'</b>	max. 10
Power absorption	<b>KW</b>	5,6 (Hot-melt + 3,5)
Air consumption	<b>NI/1'</b>	700
Air pressure	<b>bar</b>	5+6
Gross weight	<b>kg</b>	~2150
Net weight	<b>kg</b>	~1750

Size range	min.	max.
<b>A</b>	20	545
<b>B</b>	12	70
<b>C</b>	50	200
<b>d<sub>i</sub></b>	200	550
<b>e<sub>i</sub></b>	120	350
<b>f<sub>i</sub></b>	120	350

