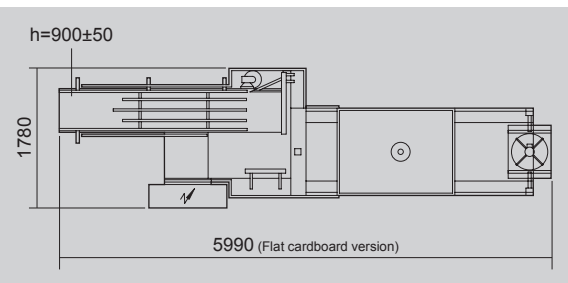
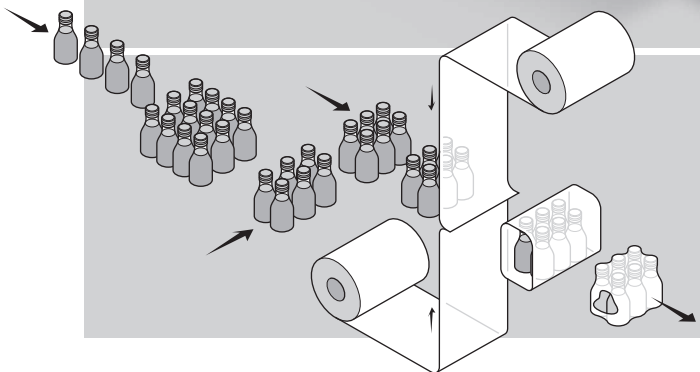


NV750

Intermittent motion automatic bundler with shrink-wrapping



TECHNICAL DATA

Mechanical speed	STROKES/1'	10±17
Power absorption	KW	13
Air consumption	NI/1'	13
Air pressure	bar	6
Gross weight	kg	~1250
Net weight	kg	~1100
Size range	min.	max.
d_i	100	400
e_i	200	435
f_i	50	360
H	30	80
d_i+e_i	-	700
d_i+H	230	440
f_i+H	130	440

