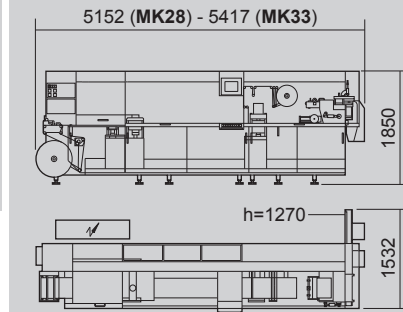
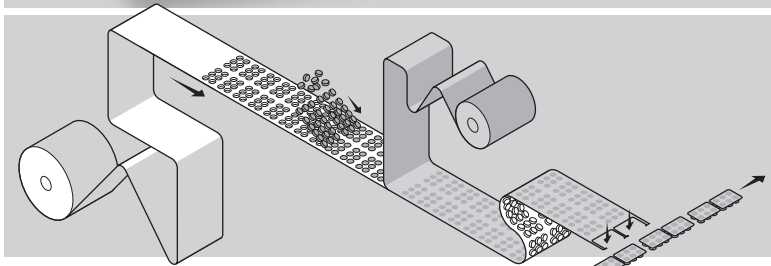


MK



Automatic high speed blister packaging machine with plate sealing



TECHNICAL DATA		MK28	MK33
Production up to	BLISTERS/1'	480 (600)	480 (600)
Mechanical speed	STROKES/1'	20+60	20+60
Power absorption	KW	21	23
Air consumption	NI/1'	500	650
Air pressure	bar	6	6
Net weight	kg	~4500	~5000

Size range	min.	max.	min.	max.
L Web width (mm)	90	286	90	333
P Stroke length (mm)	70	180 (204)	70	220
A Blister width (mm)	30	90	30	90
B Forming depth (mm)	3	12	3	12
C Blister length (mm)	60	-	60	-
F Blister rows across the web	1	3	1	3
Blister rows along the pitch (N)	1	4	1	4
Number of blisters per cycle (G)	1	12	1	12

Forming materials PVC; PVC+PVDC; TRIPLEX; COC; ACLAR; ALU

