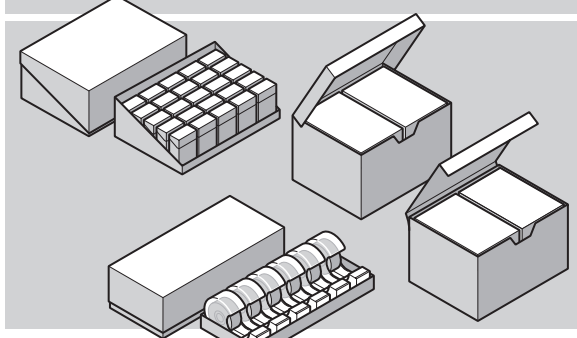
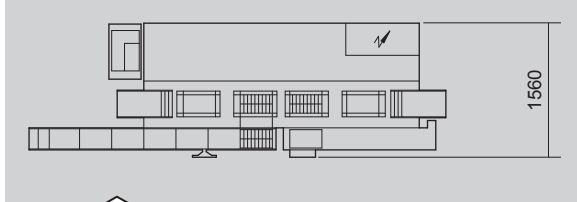
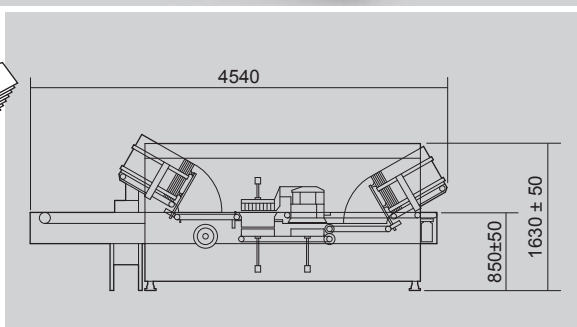
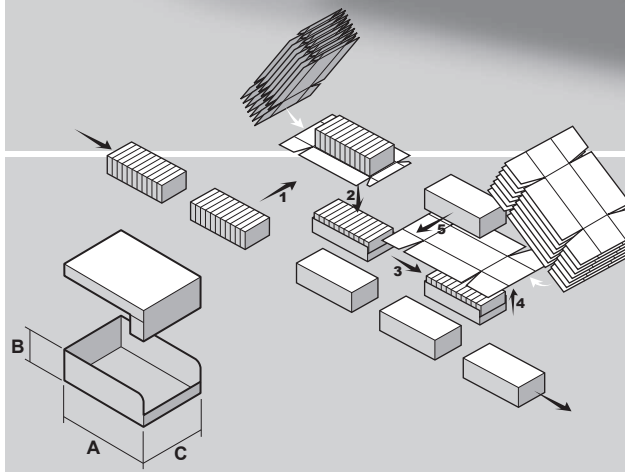
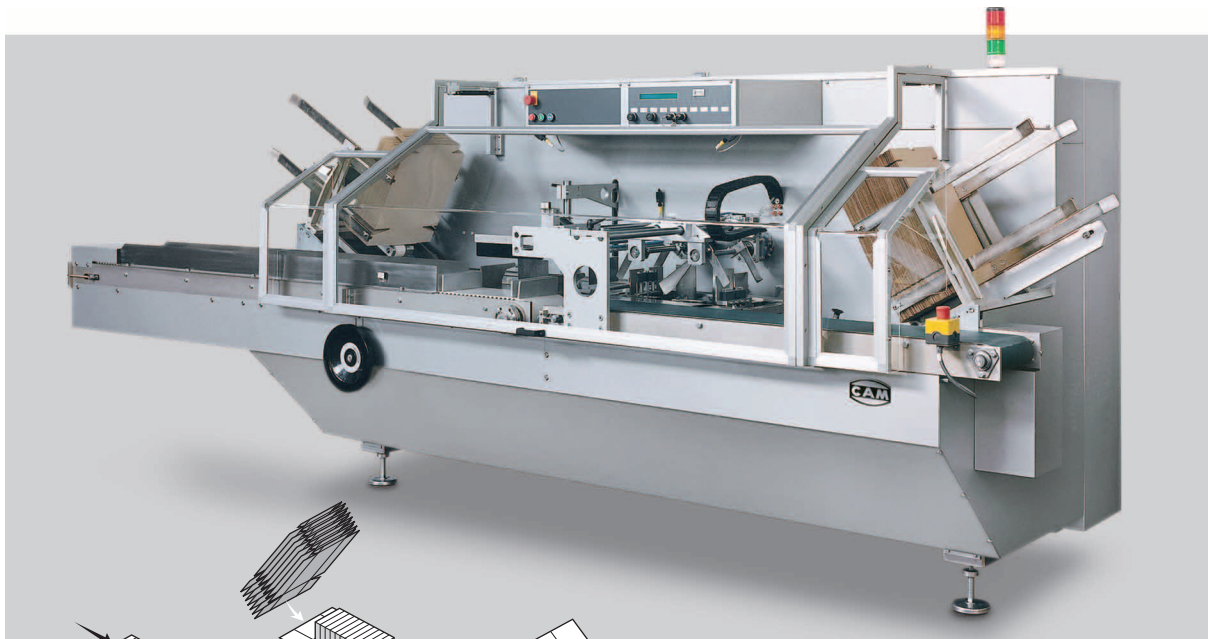


FCE

Automatic tray and lid forming and loading machine



TECHNICAL DATA		FCE	FCE/M
Mechanical speed	STROKES/1'	max. 20	max. 15
Power absorption	KW	5 (Hot-melt + 8,5)	5 (Hot-melt + 8,5)
Air consumption	NI/1'	1,750	1,750
Air pressure	bar	5+6	6+8
Gross weight	kg	~3100	~3400
Net weight	kg	~2800	~3100
Size range	FCE min. max.	FCE/M min. max.	
A	120 360	120 400	
B	25 100	25 180	
C	100 250	100 320	
A + 2B	- 500	- 600	
C + 2B	- 420	- 500	